

UV强光手电照射对比 UV layer check under UV Flashlight

板材表面是否共挤有UV层。一般需要专用UV仪进行检测,普通用户在自然光下肉眼很难识别,UV强光手电可以帮助用户解决这个难题。

Usually it's difficult to see whether there is a UV layer co-extruded on the sheet under natural light. UV flashlight helps you solve this problem.



板材表面没有共挤UV,经照射看不出有明显的特征。
No UV layer, no silver line under UV flashlight.



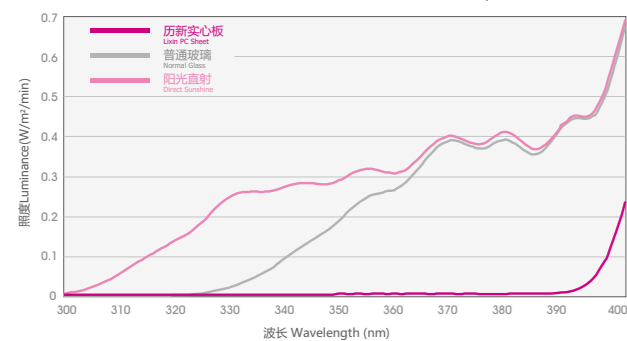
采用强光手电对板材横截面进行照射,板材的UV层会变得明亮许多,仍得板材表面镶了一道银边,且能清晰的看出UV分布是否均匀。

The UV layer becomes brighter than other part under UV flashlight. You can never see how thick and flat the UV was coextruded through the silver line.

标准参数 Production Standards Features

板材厚度 Thickness(mm)	长度 Length	宽度 Width
0.8 ~ 1.5mm		≤1220mm
1.5 ~ 3.0mm	不限no limit	≤2100mm
3.0 ~ 20mm		≤2450mm

紫外线辐射通过的照度对比 UV Luminance Comparison



UV涂层对人体健康的保护

长时间的暴露于紫外线的辐射下,会增加健康风险。添加UV的历新实心板能对光谱范围在270~320纳米的UV-A几乎完全屏蔽,同时大幅度减少UV-B的射入量,有效减少皮肤癌的发生,以及皮肤老化的症状。

Protect from harmful UV radiations!

Longtime Exposure to UV radiation increases health risk. As the graph showed, UV-coated Lixin PC sheet could block almost all the UV-A rays with wavelength between 270-320nm and most UV-B rays. It effectively prevents skin aging and minimizes skin cancer risk.

可选附加功能 Options

附加功能有的可单独,有的可组合实现。附加功能的不同也可能导致产品成本的变化。欲知更多技术或商务信息,敬请致电正兴客服热线400-666-1197,我方人员将竭诚为您服务。

You can choose one or more options above to fulfill your application. Different options may come with different cost. For more information, please feel free to contact us.



Solar-Control
红外光控

历新红外光控板在热能管理方面采用了专用的树脂改性技术,能有效吸收和反射,使其在保证可见光大量透过的同时,有效阻隔红外热能,明显降低用于建筑降温和解调的能耗费用,营造更舒适的室内环境。
Lixin solar-control sheet applies resin-modified technology thermal management. It can effectively block the infrared heat while let in the visible light, significantly reducing the building energy billing.



Light Diffuse
光扩散

历新采用目前国际最为领先的扩散原料改性技术,使光线通过板材时产生漫反射,在增强透光率的同时使光源发出的光线均匀分布于板材表面,得到最佳的视觉效果。
Lixin Diffuse Sheet features a unique combination of high light diffusion and high light transmission through advanced resin-modified diffuser technology.



Abrasion Resistant
耐磨划

历新耐磨划板表面具有单面或双面的专用硬化涂层,提供持久的抗化学腐蚀和耐刮性能。
Lixin Abrasion Resistant sheet is a one or both-side hard coated PC sheet offering excellent chemical and abrasion resistance.



Embossed
表面颗粒

历新颗粒板表面的纹路一方面可以增强遮光性和隔热性,另一方面对阳光有散射作用,使光线柔和,有效减少光污染。
Lixin Embossed Sheet provides light diffusion and prevents see-through vision as deemed necessary for a variety of applications.



Matt UV
亚光UV

亚光板板表面使用亚光UV原料进行共挤,不仅可以防止紫外线辐射,还能阻隔柔和光线,防止眩光的作用,减少光污染。亚光UV也可根据设计计算的不同需求要求做成不同的颜色。
The matt-UV coextruded on the surface of Lixin sheet will not only protect the sheet from aging, but also prevent glaring effect. Matt-UV can be customized to different color as you like.



Double-color
双色

设计师在考虑设计建筑物时,对建筑的外观和内部的色调规划可能有不一样的考虑。历新双色板针对该情况进行研发,在一款产品上实现上下分层的不同颜色效果,完美实现了设计师和用户的理念,兼具美观和实用的特性。
Lixin Double-color Sheet can help realize architecture designers' idea by having one color on the outer side and the other color on the inner side. Its abundant color options could well satisfy your desire of beauty.



历新板材具有极高的透光性,表面UV层可防止板材老化黄变,长期保持高透光率。
Protected by UV layer from weathering and yellowing, Lixin sheet can keep long-term high light transmission.

* UV 共挤分单面和双面,适用于所有历新板材
both sides UV protection upon request

UV共挤层抗老化 Advanced UV Co-extrusion Technology!

为保证UV层的厚度和平整度,正兴精选高浓度UV原料,采用先进的多层共挤工艺,以保障所有历新板材透光率及防老化等参数达到10年品质保证。

To get UV layer with satisfied thickness and flatness, Gensin uses highly selective UV resin and advanced co-extrusion technology. All Lixin sheets are supplied with 10 years warranty.

图 2000小时QUV加速老化实验

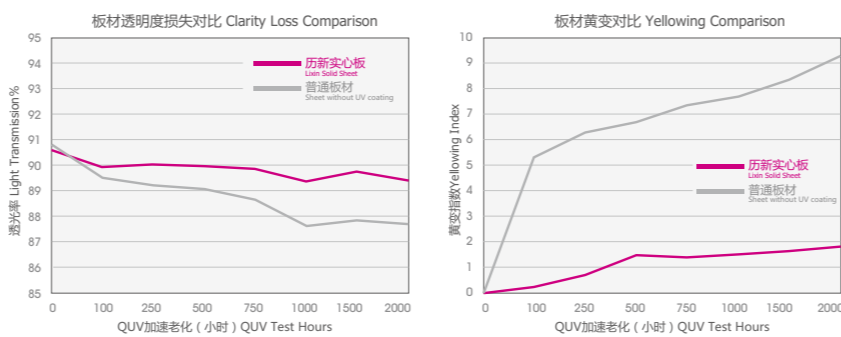
图注:平均每100小时QUV加速暴晒相当于1年的所受到的户外紫外线暴晒量。

PC实心板能经受长时间的严酷气候考验,添加了UV的历新板材比普通板材效果更佳。QUV加速老化实验表明,历新板材的透明度保持及耐黄变性能优势明显,几乎察觉不到变化。

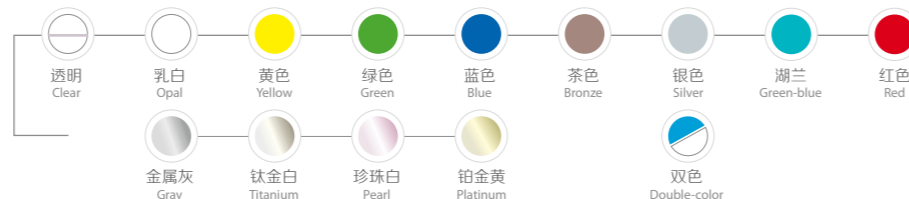
2000 Hours QUV Test Results

100 hours QUV accelerated exposure equals 1 year outdoor UV exposure.

As the graph showed, UV-coated Lixin PC sheet could block almost all the UV-A rays with wavelength between 270-320nm and most UV-B rays. It effectively prevents skin aging and minimizes skin cancer risk.



板材常规颜色 Color



红外光控
 抗紫外线
 节能环保
 轻质耐久
 绚丽观感

Permanent Excellent Quality Just Need Time to Prove

历新® 通用实心板

General-purpose Solid Sheet (LGP)

先进采光节能方案的倡导者

Advocates of Advanced Lighting & Energy-saving

Permanent Excellent Quality Just Need Time to Prove

历新® 通用实心板

General-purpose Solid Sheet (LGP)

正興企業

海宁市正兴耐力板有限公司

HAINING GENGIN PLASTIC SHEET CO.,LTD.

地址: 浙江海宁斜桥工业园区新光路6号

Add: NO.6 Xingguang Road, Xieqiao Industrial Park, Haining, Zhejiang, China

Tel: +86 573 87780888 Fax: +86 573 87781991

Hotline: 400 666 1197

Website: www.gensin.com email: gensin@gensin.com

产品责任条款:

本信息和公司的技术建议,无论口头、书面的,还是以试验的形式,都是出于慎重而提供,对此,我公司并不作任何保证,这同样适用于涉及第三方所有权的情形。我公司的技术建议并不免除贵方验证当前所提供的信息(特别是我公司安全资料和技术信息表中的信息),并对产品按照特定的工艺和用途进行适应性测试的义务。对产品的应用、使用和加工,以及按照我公司的技术建议由贵方生产的产品是我公司不能控制的,因此,完全是贵方的责任。我公司的产品依照我公司现行有效的销售与交付的一般条款进行销售。

Cat.2013. LGP

产品特点

- 轻质:** 重量仅为普通玻璃的一半, 节省运输、安装等成本。
- 高强:** 抗冲击强度是钢化玻璃和亚力克的25-30倍。
- 高透:** 高透明度, 透光率可达86%。
- 阻燃:** 离火自熄, 不助长火势, 不产生有毒气体。
- 稳定性好:** 在-40°C~120°C环境下, 各方面性能无明显变化。
- 耐侵蚀:** 除一些特定材料外, 能抵御多种化学物质的侵蚀。
- 抗老化:** 表面共挤UV层, 能有效隔绝紫外线, 防止老化。
- 隔音:** 隔音性能显著, 是声屏障的理想材料。
- 隔热:** 保温隔热效果好, 能有效降低能耗。
- 方便成型:** 易加工, 可制作成多种规格形状的成品。

Product Features

- Light Weight:** only half weight of glass, saving delivery and installation cost.
- Impact Strength:** 25-30 times impact resistance of tempered glass and Acrylic.
- High Clarity:** up to 86% light transmission rate.
- Flame Retardancy:** Self-extinguishing, does not encourage flames or give off toxic gases.
- Chemical Stability:** Resistant to most chemicals except for a few specific materials.
- Weatherability:** Co-extruded UV layer, long-term UV radiation protection.
- Sound Insulation:** Superior acoustic insulation, ideal for making sound barriers.
- Heat Insulation:** good thermal insulation performance, minimize heat consumption.
- Formability:** ease of fabrication, a huge range of shapes and sizes can be formed.

同样厚度玻璃的 50%
Half weight of glass



抗冲击强度是玻璃的 30 倍
30 times impact resistance of
tempered glass



50µUV 层, 抗紫外线
UV 层 ≥ 50µ
Over 50µUV Layer



Lixin Permanent
Excellent Quality
Just Need Time to Prove

历新® 通用实心板 General-purpose Solid Sheet (LGP)

历新实心板所使用的聚碳酸酯 (PC) 树脂是当前世界应用最广泛的工程塑料之一, 具有极佳的力学、光学、电学和热学特性。历新聚碳酸酯 (PC) 实心板具有轻质、高强、高透、阻燃、稳定性好、耐侵蚀、抗老化、隔音隔热、方便成型等众多优良性能。

Polycarbonate resin is a widely used engineering thermoplastic which is characterized by outstanding mechanical, optical, electrical and thermal properties. Typical properties of Lixin polycarbonate solid sheet include light weight, impact strength, high clarity, flame retardancy, thermal/chemical stability, weatherability, heat/sound insulation and formability.



用途广泛的 新型节能板材

集众多优良性能于一身, 历新PC实心板在建筑采光、室内装饰、声屏障、广告标识、安全防护、工业制造以及DIY等领域均提供了高效先进的解决方案, 经久耐用, 值得信赖。

A unique combination of properties in Lixin solid sheet provides advanced solutions for Architectural Glazing, Interior Decorations, Sound Barriers, Signage, Security, Manufacturing and DIY applications.



建筑采光: 历新实心板常用于阳光房、住宅的门廊阳台、酒店和商场的过道中庭、厂房和仓库的采光带、体育场和泳池的顶棚、机场/火车站/公交站台等应用。

室内装饰: 历新实心板颜色多样, 还能室内装饰提供多种颗粒纹路选择, 可做成各种款式的浴室隔断和天花吊顶。

声屏障: 历新实心板制成的声屏障不光具有优异的隔音性能, 还同时具备安装简便、安全性高、视野开阔等特性。

广告标识: 凭借优异的光学特性, 历新实心板制成的广告灯箱既色彩鲜明又经久耐用。与亚克力相比, PC板有更好的防火特性。

安全防护: 从汽车挡风玻璃到机器防护罩, 从防护盾牌到头盔, 杰出的抗冲击性能和良好的加工特性使历新实心板成为安全防护领域的首选材料。

工业制造: 历新实心板是制作箱包类产品的绝佳材料。牢固, 稳定, 有韧性。良好的加工性使其可以做出不同形状和规格的产品。

Architectural Glazing: With outstanding clarity and weatherability, Lixin PC sheet has many glazing applications, such as greenhouses, porch and balcony of houses, atriums of hotels and shopping centers, daylighting band of factories and warehouses, roofing of stadiums and swimming pools, skylights of airports and stations.

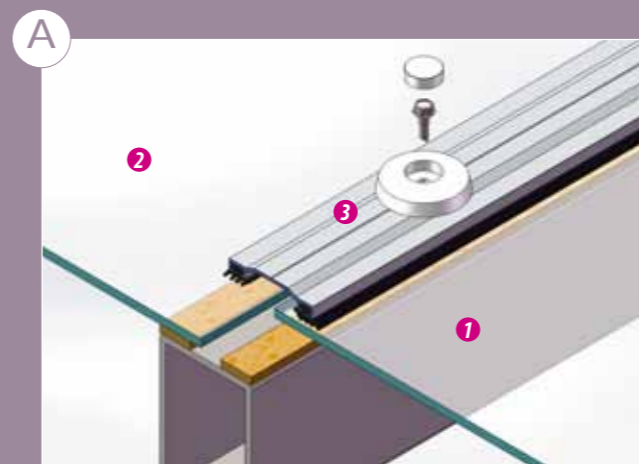
Interior Decoration: Lixin solid sheet has various colors and textures for selection in decoration applications. It's perfect to be made into bathroom partitions and ceilings.

Sound barriers: Sound barriers made of Lixin solid sheets not only have good acoustic insulate performance, but also provide easy installation, high safety and broad vision.

Signage: With exceptional clarity and ease of fabrication, Lixin solid sheet is perfect for billboards, illuminated signs and street signs. It provides better fire safety than Acrylic.

Security: Due to its high impact strength and transparency, Lixin solid sheet is ideal to be made into windscreens, machine guards, shock resistant shields and helmets.

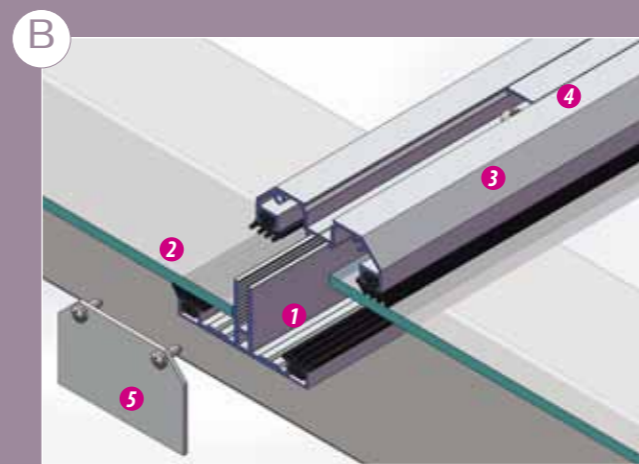
Manufacturing: Shatterproof suitcases or containers can be formed from Lixin solid sheet. A huge range of shapes and sizes are obtainable with its outstanding dimensional stability and ease of fabrication.



安装方案A

铝型材压条安装

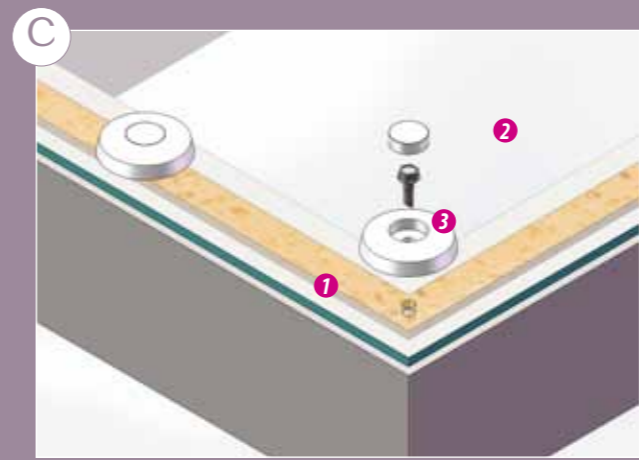
1. 将橡胶垫贴于檩条平面上, 主要避免板材直接接触金属;
2. 排好布局位置后分别将两片裁切好尺寸的历新实心板置于橡胶垫平面上;
3. 利用塑料大盖帽自攻锁紧螺钉组合将穿配好橡胶条的铝型材压条固定于檩条, 并使之压牢实心板材平面。



安装方案B

铝型材上下套件安装

1. 利用自攻锁紧螺钉将铝型材支撑条固定于檩条上;
2. 将裁切好尺寸的实心板置于铝质支撑条支撑部位;
3. 利用自攻锁紧螺钉将穿配好橡胶条的铝质压条与铝质支撑条紧固固定, 并使之压实实心板平面;
4. 将铝质盖条穿入铝质压条配合部位, 以达到防水效果;
7. 利用自攻螺钉将铝质端盖封住型材截面。



安装方案C

点式安装

1. 将橡胶垫贴于檩条平面上, 避免板材直接接触金属;
2. 排好布局位置后分别将裁切好尺寸的历新实心板置于橡胶垫平面上, 并在板材、橡胶垫、檩条上钻孔;
3. 利用塑料大盖帽自攻锁紧螺钉组合固定于檩条, 并使之压牢实心板材平面。

更多板材安装方法, 请联系正兴技术服务

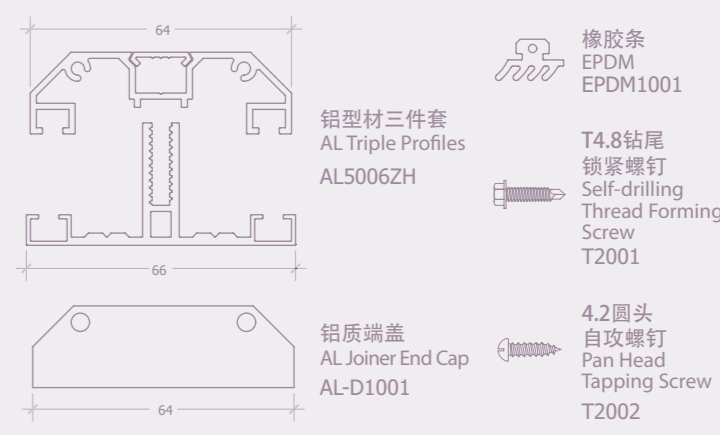
热线: 400 666 1197

For more installation guideline, please feel free to contact Gensin Service Center
Hotline: 400 666 1197

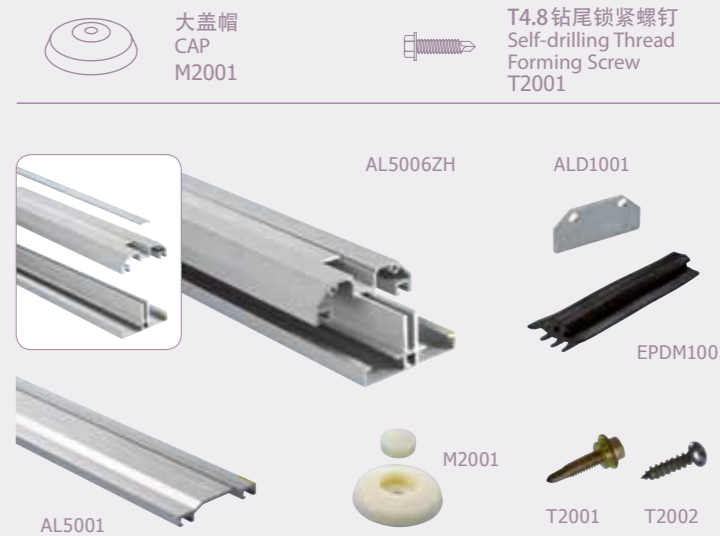
安装方案A配件结构图 Accessories for Installation Guide A



安装方案B配件结构图 Accessories for Installation Guide B



安装方案C配件结构图 Accessories for Installation Guide C



360°Care 正兴 360° 技术支持 360°Technical Support

历新实心板可以方便的进行切割、钻孔、冷弯、热弯、热成型、粘合密封等二次加工。

切割: 使用带锯、圆锯等切割工具。

钻孔: 使用碳钢或高速钢钻头。

冷弯: 最小冷弯半径为板材厚度的200倍。

热弯: 加热到150°C-160°C后, 将板材弯曲到目标角度。

热成型: 板材如需热成型, 需使用特殊保护膜。不同厚度板材需不同时间的预干燥。干燥温度120°C。

粘合密封: 选用与PC板相容的粘合剂、橡胶条和衬垫。三元乙丙橡胶是首选。

清洗维护: 可用软布搭配中性清洁剂和水进行清洗。

For most efficient fabrication, the following guidelines are strongly recommended.

Cutting: Use circle or tape saw.

Drilling: Use steel, carbon or high speed tips.

Cold Bending: Minimum bending radius is 200 times of sheet thickness.

Hot Bending: Bend the sheet to specific angle when heated to 150°C-160°C.

Thermoforming: Special film masking for thermoforming sheet. Different thickness sheet requires different drying period at 120°C.

Gluing & Sealing: EPDM rubber is strongly recommended.

Cleaning: Clean with soft cloth, mild soap and water.

更多信息, 请联系正兴技术服务

热线: 400 666 1197

For more installation, please feel free to contact Gensin Service Center
Hotline: 400 666 1197